



TUBE FILLER

TK850-HAO PE/Laminated Tubes

(For both round and oval tubes)





Kentex

Kentex Group

KENTEX PACKING MACHINERY CO., LTD.

Kentex has been established in the spring of 1984, as a professional manufacturer of tube filling and sealing machines. With more than 30 years of experiences, and sustainable improvement, we have developed many custom-made models. "Customer Satisfaction" is our priority principle. We are continue providing good quality machines with stable production, and easy maintenance to meet clients' request.

Application: for low viscosity, medium, and high viscosity.

Covers:

- » **Pharmaceutical: ointments...**
- » **Cosmetics: cream...**
- » **Chemical: silicone...**
- » **Food: condensed milk, chocolate...**
- » **Others: hair color cream, toothpaste...**



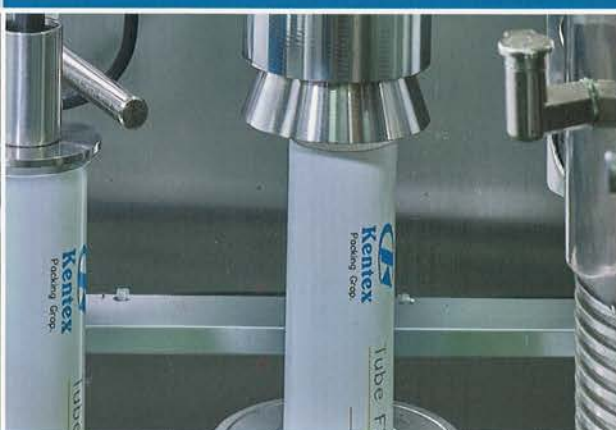
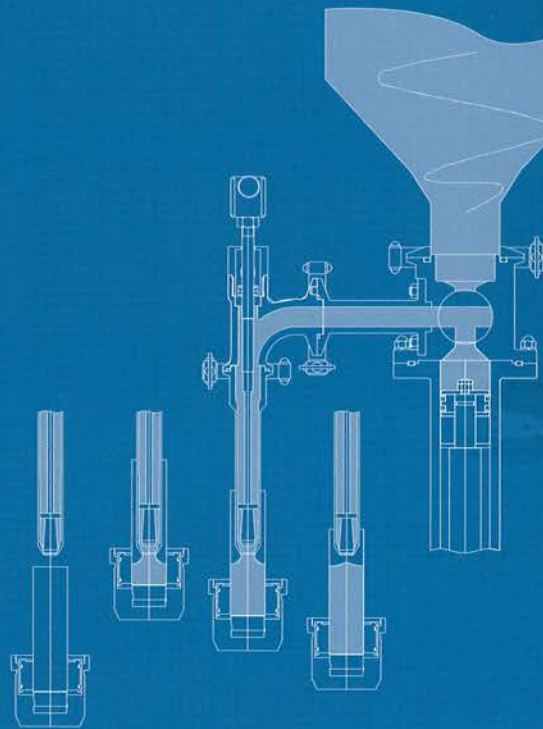
Machine specifications:

- » **Mechanism transmission**
- » **Strengthen structure**
- » **Steady production**
- » **Accurate filling volume**
- » **cGMP standard**
- » **Easy changeover and maintenance**

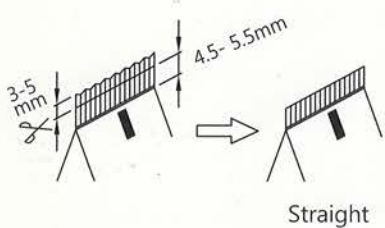


Tube holder ascending type filling

Tube holder pushed up to meet filling nozzle, makes the filling nozzle reach the bottom of tube. Filling and tube holder goes down slowly at the same time for minimizing air in.



Various Trimming Styles



R-shape



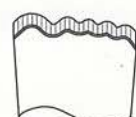
Arc



Hang hole



Wave with hang hole

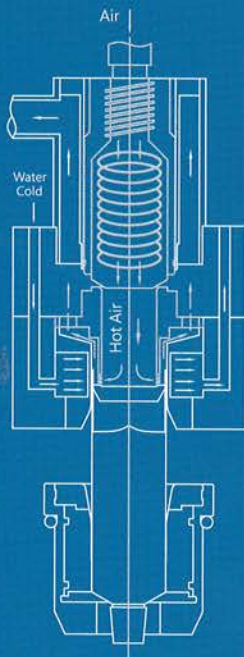


Foot shape

Features:

Hot air sealing system

- » Accuracy temperature.
- » Easy setting.
- » Hot air won't affect filled material to ensure product quality.
- » Auto detecting tube, and descends for heating.
- » Efficient production.





K650-HA

- » **Manual tube feeding**
- » **Automatic orientation**
- » **Descending filling**

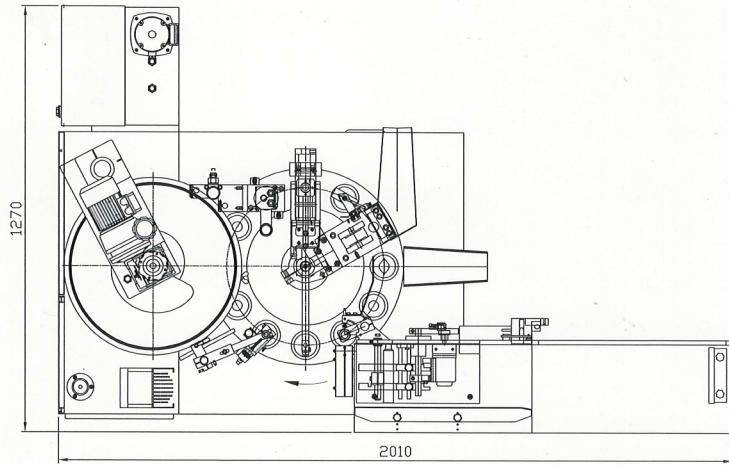
Standard Features:

- » Sliding chute tube discharge system.
- » Tube orientation.
- » Raw material contact parts SUS#316L; other contact parts SUS#304.
- » Tube contact parts made of allow metal.
- » 50 liters stainless steel hopper (single jacket).
- » Filling nozzle: cut-off, suck-back, air cut, back cut-off.
- » Progressive bottom-up filling.
- » Remote control.
- » Auto ejection.
- » Trimming patterns (Custom-made).
- » Coding (single or double sided).
- » Frequency converter speed adjustment.
- » PLC.
- » Safety indicator light & sound signal.
- » Voltage depends on customer.
- » Tool box.
- » Machine is with one set of tooling for one tube.

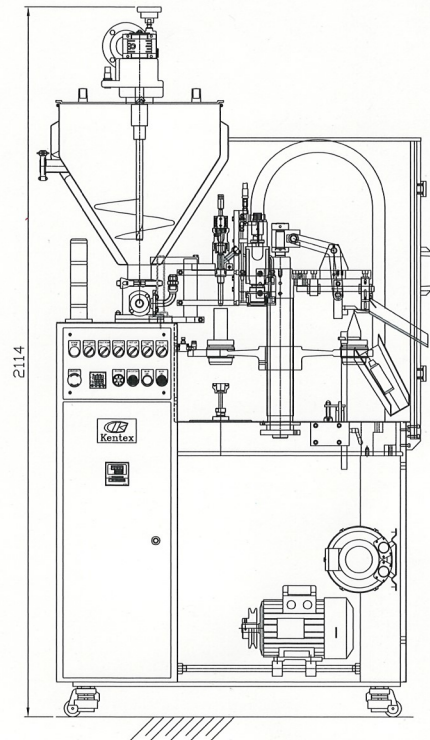
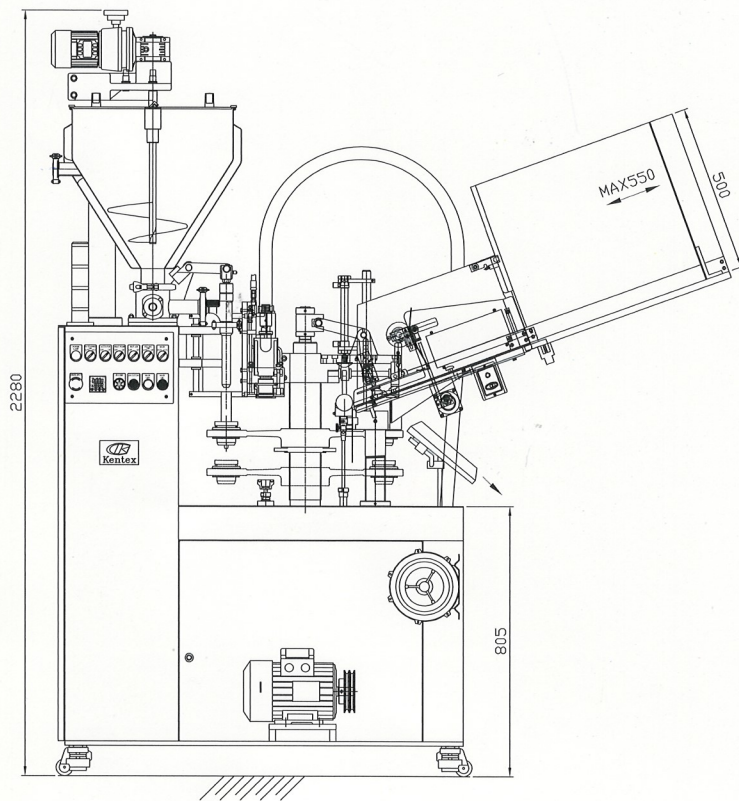
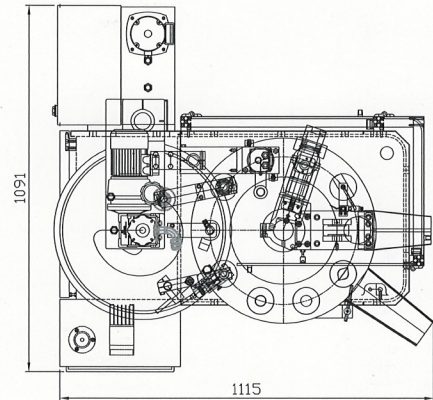
Optional Features:

- » Tube cassette in-feed and discharge system
- » Stainless steel machine exterior
- » Protective safety cover
- » For different tube diameters: tube holders, inner heating & outer cooling molds, and insertion molds
- » Touch screen control panel
- » 50 liters double jacketed hopper. (For hot water circulate)
- » Independent speed adjustable agitator (Speed: RPM 10 – 30 / min)
- » Automatic filling level control
- » Tube cleaning equipment
- » Special trimming styles.
- » Fluid circulatory cooler.
- » Coding digits.
- » Certification documents: IQ, OQ, PQ, according to cGMP standards

TK850-HAO 自動



K650-HA 手動



※ 我們保有修改以上內容的權利



Kentex Group
京倫精機工業有限公司

地址：24158 新北市三重區興德路 100 號 6 樓
電話：+886-2-2999 1688 / 2995 2080
傳真：+886-2-2995 5425 / 2999 8796
E-mail: kentexco@kentex-mc.com
Web: www.kentex-mc.com